

- KEY:
- IN SERVICE
  - IN SERVICE BY END OF CP6
  - IN SERVICE BY END OF CP7
  - B5 Sites
  - SUBSTATION
  - T.P. HUT
  - Station
  - DRAWING BOUNDARIES

THIS DOCUMENT HAS BEEN CREATED TO SHOW THE ROLLOUT PLAN OF NSCDS ON WESSEX ROUTE, OVERLAYED ON THE CTD

EIS - Year 4&5 CP6

PRODUCED TO NR/SPEL/P27216 ISSUE 3 (26/08/2008).

UNLESS ENDORSED WITH THE DRAWING OFFICE DATE STAMP IN RED  
ALL COPIES ARE UNCONTROLLED AND AMENDMENTS/UPDATES WILL NOT AUTOMATICALLY FOLLOW

EAST FELTHAM SUBSTATION INSTALLED.  
LINDFORD STREET T.P.HUT ADDED.

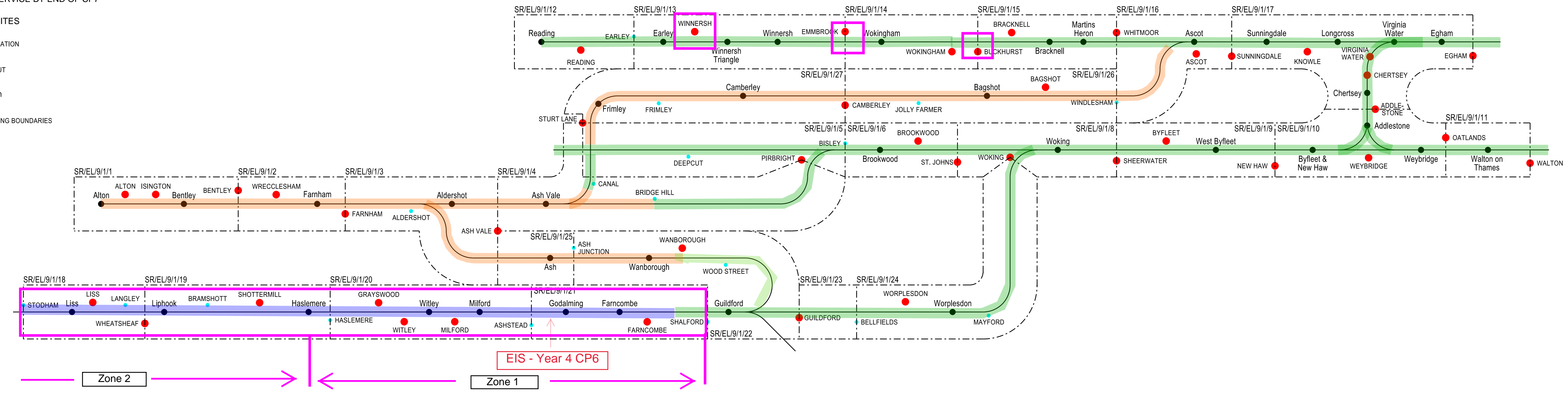
DRAWN BY: N.BARRETT	DATE: 11/06/2021
CHKD BY: G.LEES	DATE: 01/06/2021
APPD BY: S.DAMPER	DATE: 01/06/2021



COMPREHENSIVE TRACK DIAGRAM MAP OF RAYNES PARK CONTROL ROOM AREA	
WessexE&PDrawingOffice@networkrail.co.uk	TELEPHONE: 03308 546379
SR / RP / 8 / 0 / 0 / H	

CTD 1820

- KEY:
- IN SERVICE
  - IN SERVICE BY END OF CP6
  - IN SERVICE BY END OF CP7
  - B5 SITES
  - SUBSTATION
  - T.P. HUT
  - Station
  - DRAWING BOUNDARIES



THIS DOCUMENT HAS BEEN CREATED TO SHOW THE ROLLOUT PLAN OF NSCDS ON WESSEX ROUTE, OVERLAYED ON THE CTD

PRODUCED TO NRS/PELP/27216 ISSUE 3 (26/08/2008).

DR0529\_WITLEY SUBSTATION UPGRADE:  
 WITLEY TRACK PARALLELING HUT UPGRADED TO SUBSTATION.

DATE: 21/03/2019  
 APP'D BY: G.MANN  
 DATE: 21/03/2019

CTD 1316

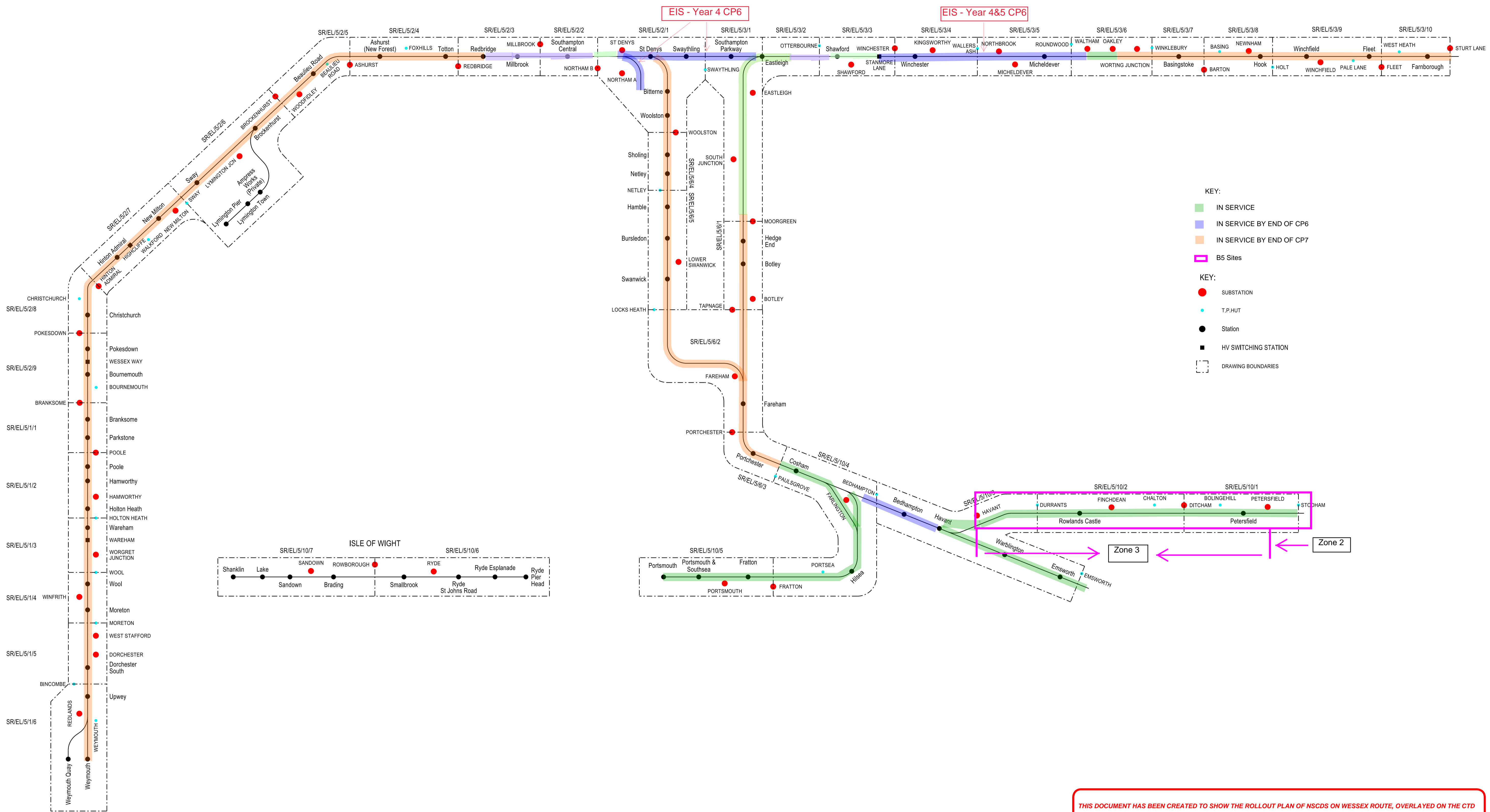
UNLESS ENDORSED WITH THE DRAWING OFFICE DATE STAMP IN RED  
 ALL COPIES ARE UNCONTROLLED AND AMENDMENTS/UPDATES WILL NOT AUTOMATICALLY FOLLOW

**COMPREHENSIVE TRACK DIAGRAM**  
 MAP OF EASTLEIGH CONTROL ROOM  
 (FORMERLY WOKING ECR AREA)

WessexE&PDrawingOffice@networkrail.co.uk  
 TELEPHONE: 03308 546379

SR / EL / 9 / 0 / 0 / H

Produced By NETWORK RAIL LTD.



THIS DOCUMENT HAS BEEN CREATED TO SHOW THE ROLLOUT PLAN OF NSCDs ON WESSEX ROUTE, OVERLAYED ON THE CTD

PRODUCED TO NR/SP/ELP/27/18 ISSUE 3 (26/08/2018)

UNLESS ENDORSED WITH THE DRAWING OFFICE DATE STAMP IN RED  
ALL COPIES ARE UNCONTROLLED AND AMENDMENTS/UPDATES WILL NOT AUTOMATICALLY FOLLOW

NORTHAM SUBSTATION RENAMED TO NORTHAM A SUBSTATION.  
SOUTHAMPTON SUBSTATION RENAMED TO NORTHAM B SUBSTATION.

DRAWING LAYOUT REVISED

DATE	20/02/2019	DATE	20/02/2019
BY	324688	BY	324688
DATE	03/02/2019	DATE	03/02/2019
BY	324688	BY	324688

CTD 1072

**Network Rail**

COMPREHENSIVE TRACK DIAGRAM  
MAP OF EASTLEIGH CONTROL ROOM AREA

WessexE&PDrawingOffice@networkrail.co.uk  
TELEPHONE: 03308 546379

SR/EL/5/0/0/C

Produced By NETWORK RAIL LTD.